

## ACCESSORIES STRADA

### PRODUCT INFORMATION

#### 1 . POSITION



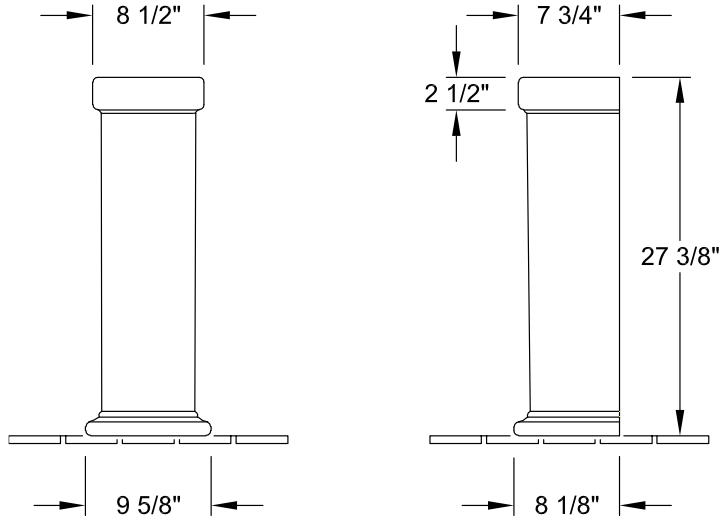
|                     |                                                                                                                                                                                                           |
|---------------------|-----------------------------------------------------------------------------------------------------------------------------------------------------------------------------------------------------------|
| Model               | 5B0000                                                                                                                                                                                                    |
| Weight              | 30,58 lbs                                                                                                                                                                                                 |
| Description         | Sanitary ceramics<br>meets and exceeds ASME<br>A112.19.2/CSA B45.1 ASME<br>A112.19.14, Code Compliance:<br>UPC, IPC, NSPC, NPC Canada<br>and others<br>one year limited warranty                          |
| Material            | Sanitary ceramics                                                                                                                                                                                         |
| Specification texts | ; Pedestal; Sanitary ceramics; Size:<br>( ); meets and exceeds ASME<br>A112.19.2/CSA B45.1 ASME<br>A112.19.14, Code Compliance:<br>UPC, IPC, NSPC, NPC Canada<br>and others; one year limited<br>warranty |

### COLOURS

|             |          |               |
|-------------|----------|---------------|
| White Alpin | 5B000001 | 4047289330158 |
| Bisquit     | 5B0000P8 | 4047289330165 |

# TECHNICAL DRAWINGS

**5B0000**



Note: Fixture dimensions meet ASME A112.19.2 requirements.  
These measurements are subject to change or cancellation.  
No responsibility will be assumed for use of superseded or voided pages.